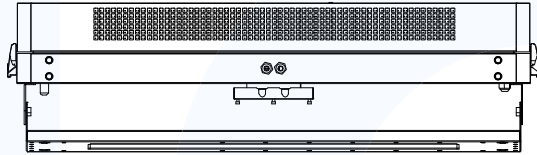


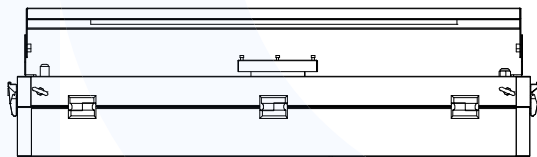
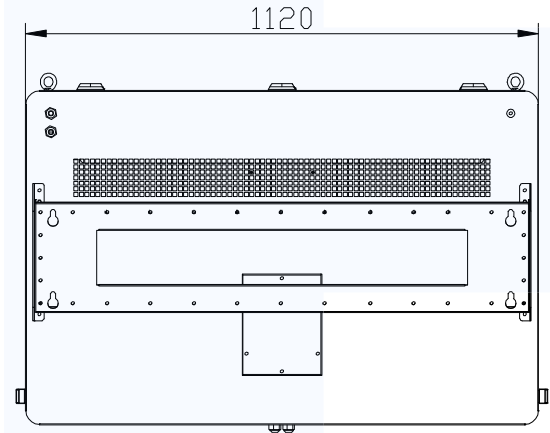
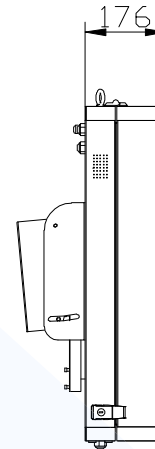
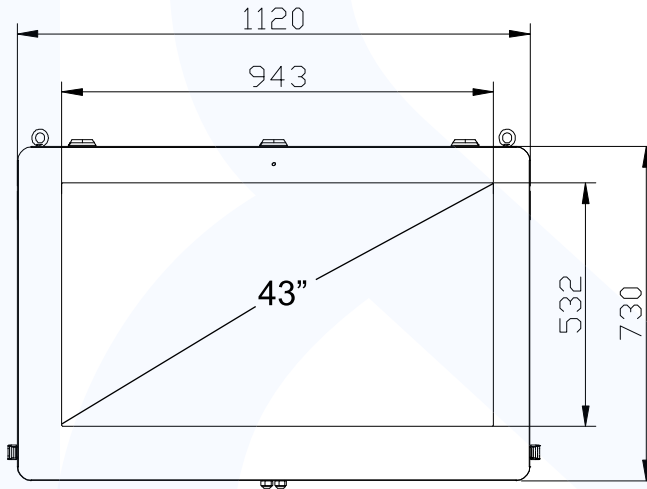
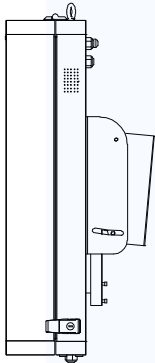
# ODKS-43

For reference only – drawing subject to change without prior notice

(Fan cooled)



NOTE: Standard fan-cooled case drawing.  
Adding peripherals or thermal cooling  
will change dimensions of case.



Dimensions in mm