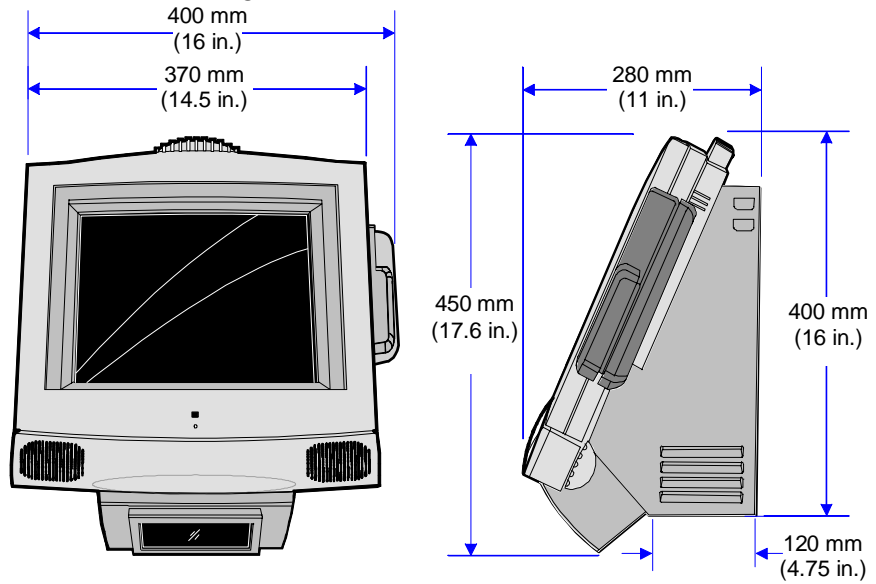


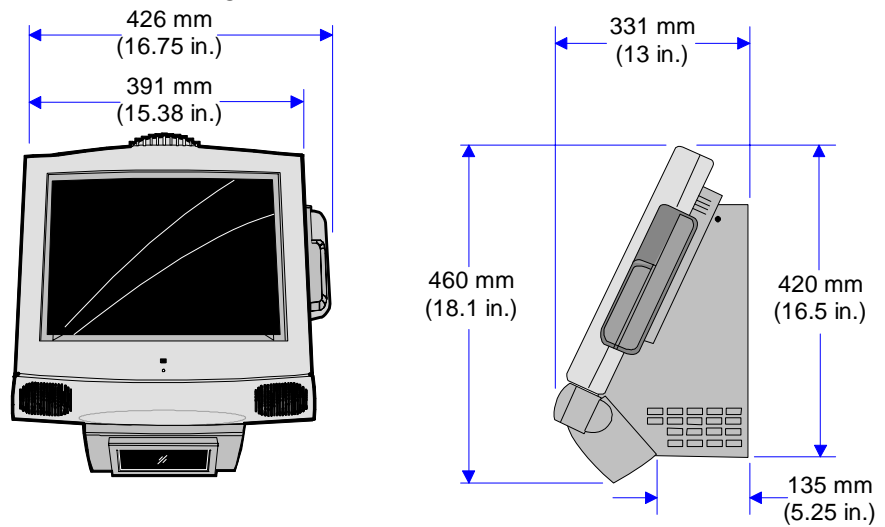
Component Dimensions

7401-32xx Fixed Angle Mount (12.1-Inch)



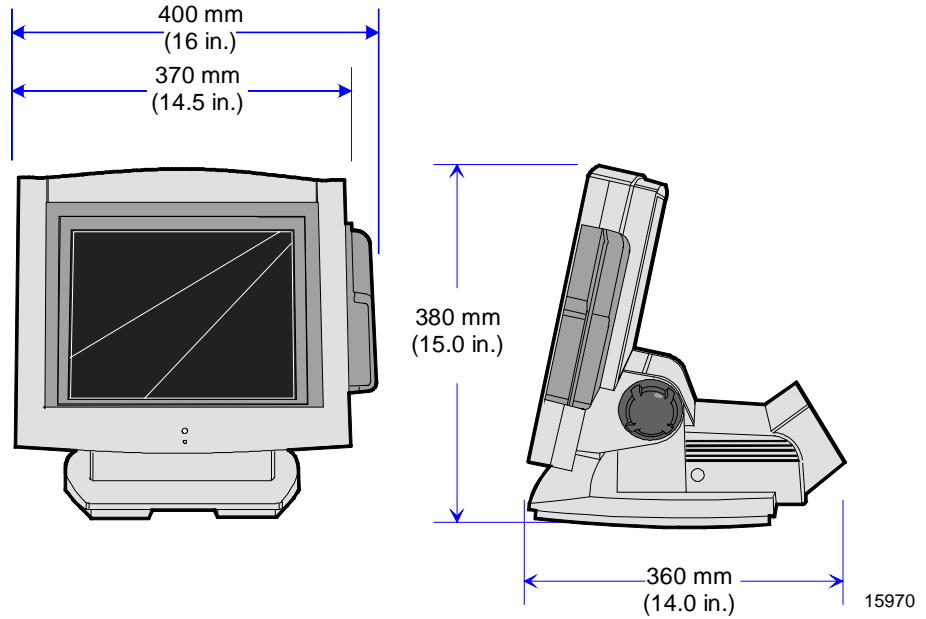
16420

7401-35xx Fixed Angle Mount (15-Inch)

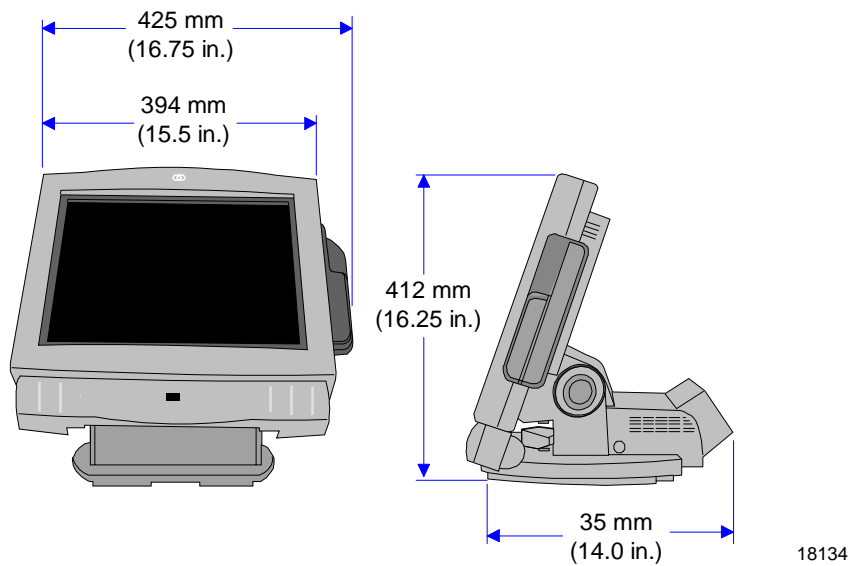


18139

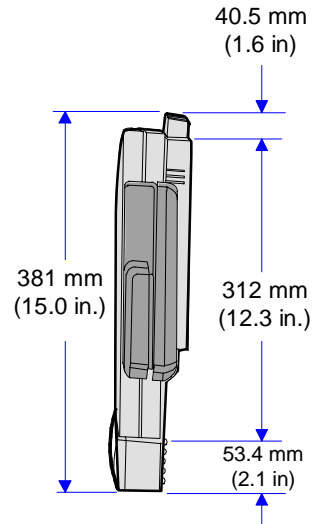
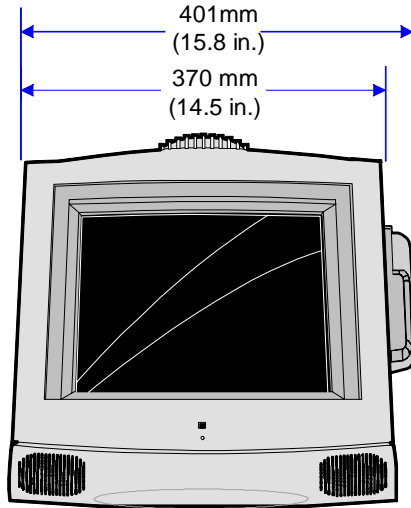
7401-22xx/26xx Tilt Mount (12.1 Inch)



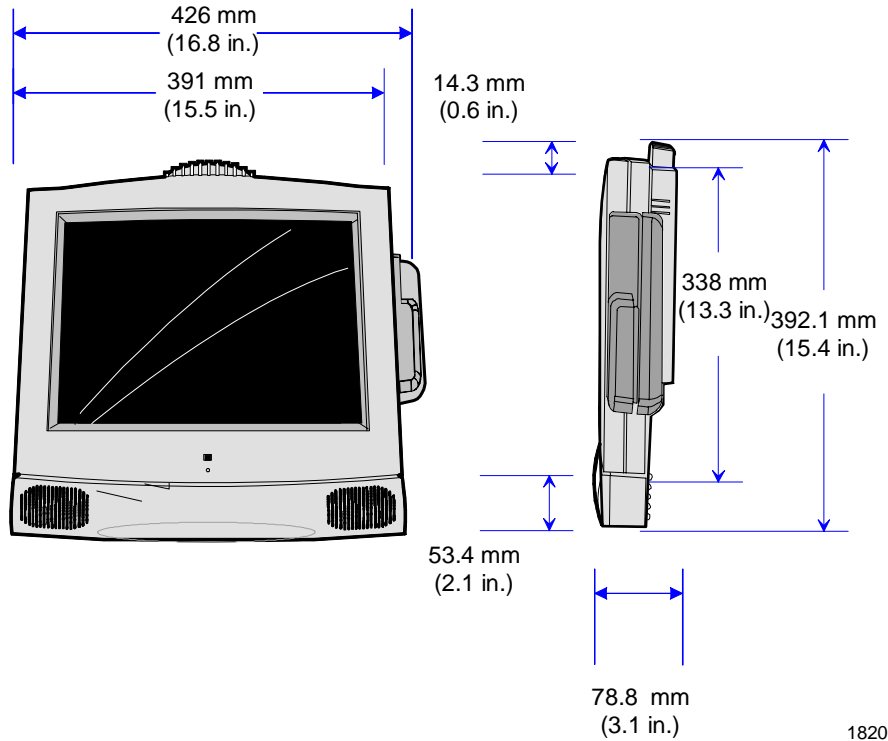
7401-25xx/26xx Tilt Mount (15-Inch)



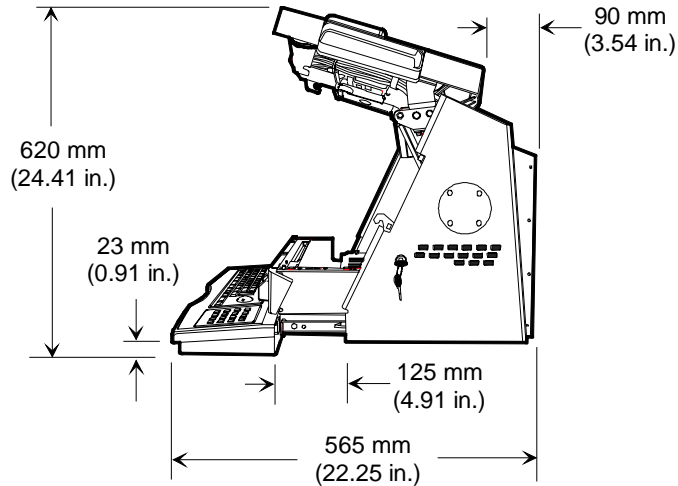
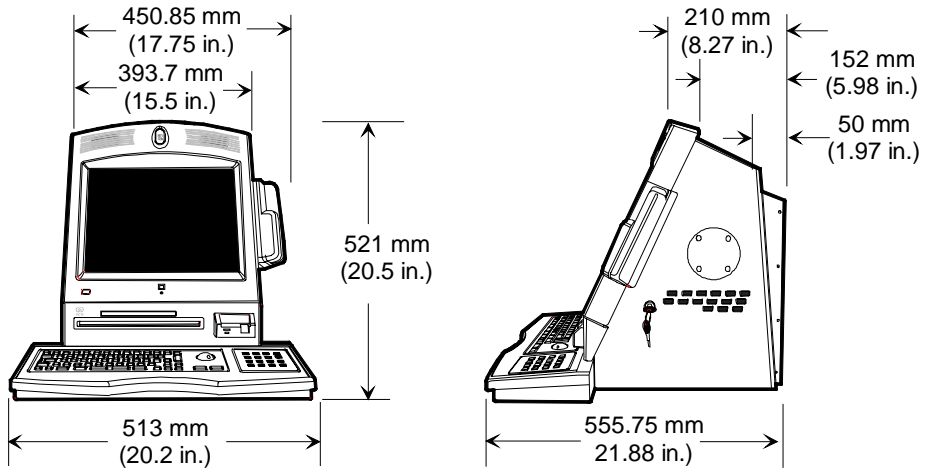
7401-22xx/26xx (12.1-Inch)



7401-25xx/26xx (15-Inch)



7401-4xxx w/Keyboard and Pin Pad

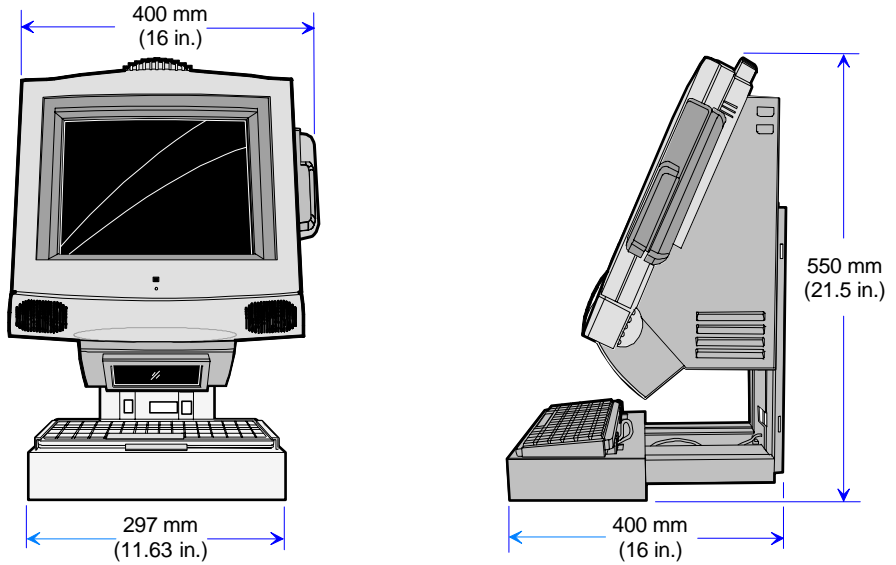


19761

7401-4xxx w/Keyboard Only

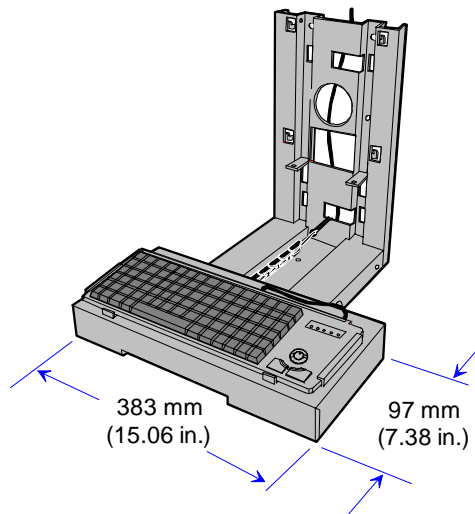
The optional narrow Keyboard Tray for use with Keyboards that do not have a Pin Pad has a width of 394 mm (15.5 in.).

7401-K540 (12.1 Inch) w/Keyboard Option



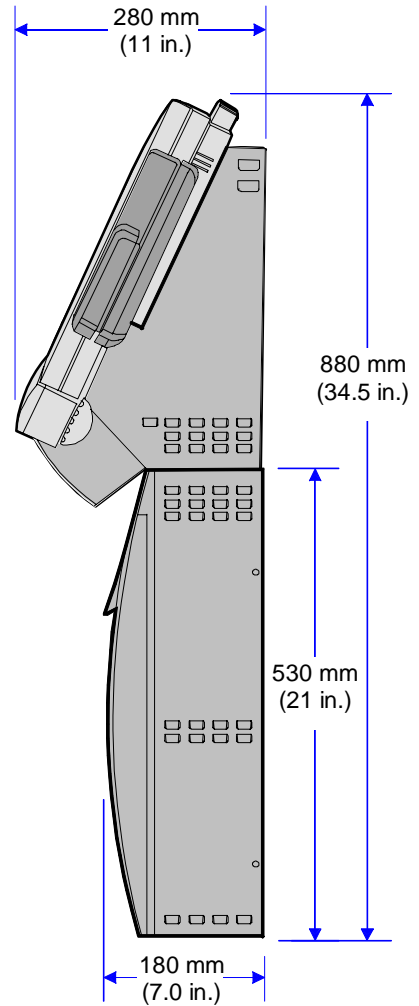
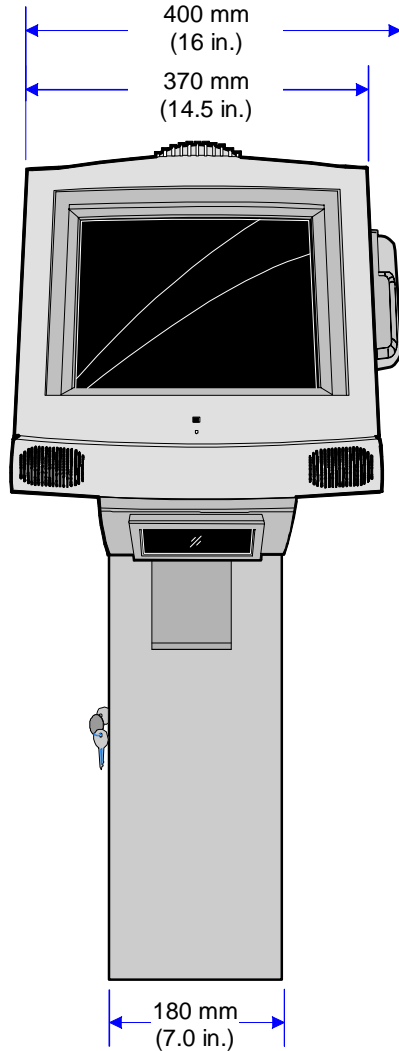
17296

7401-K543 Wall Mount Bracket w/Wide Keyboard Shelf

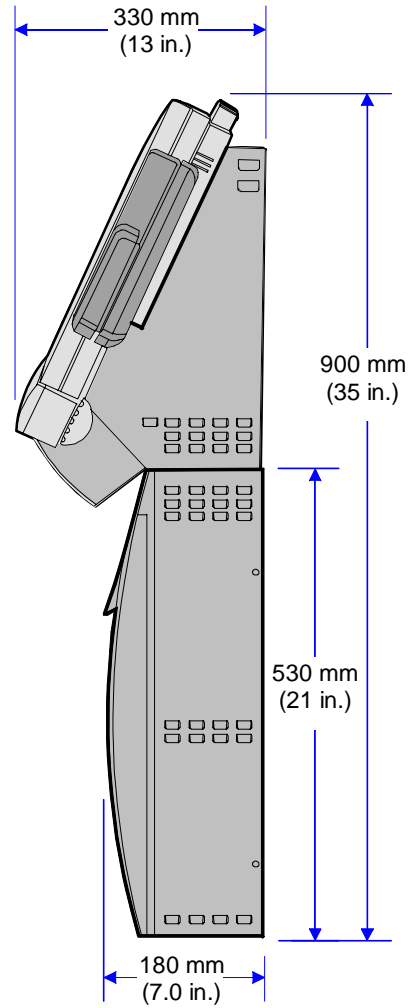
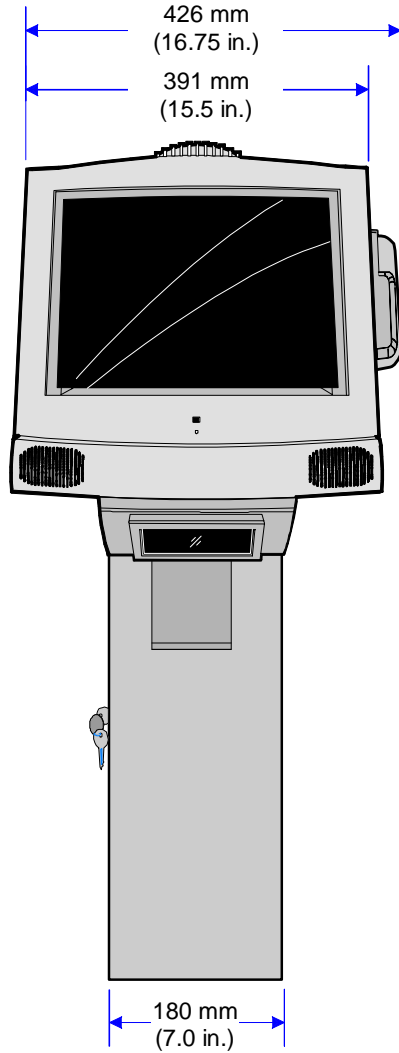


19900

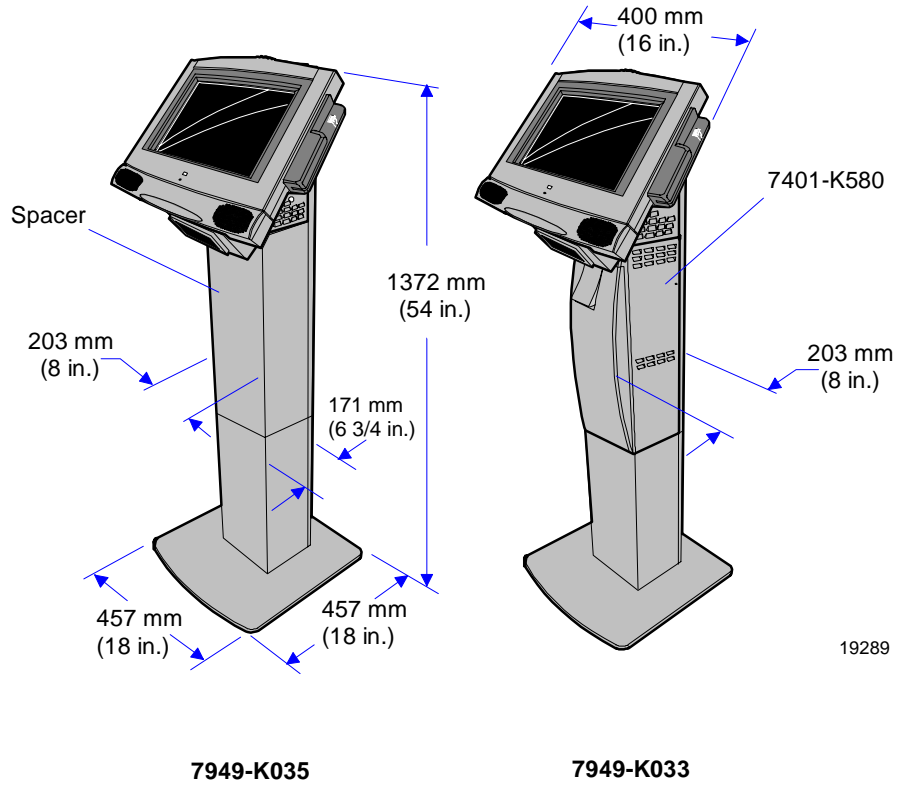
7401-K580/590 w/Self-Service Printer (12.1 Inch)



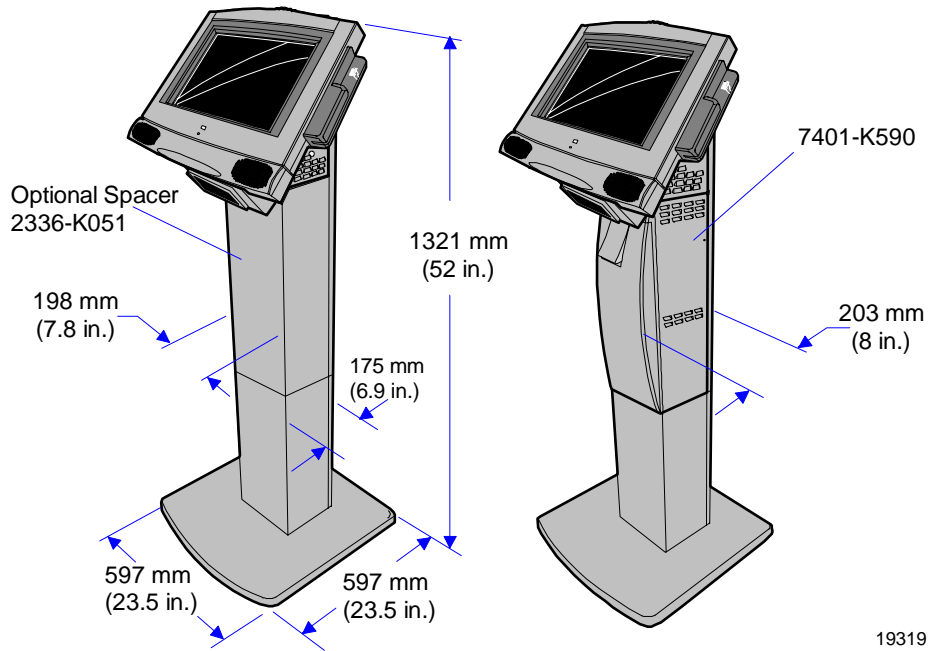
7401-K580/590 w/Self-Service Printer (15-Inch)



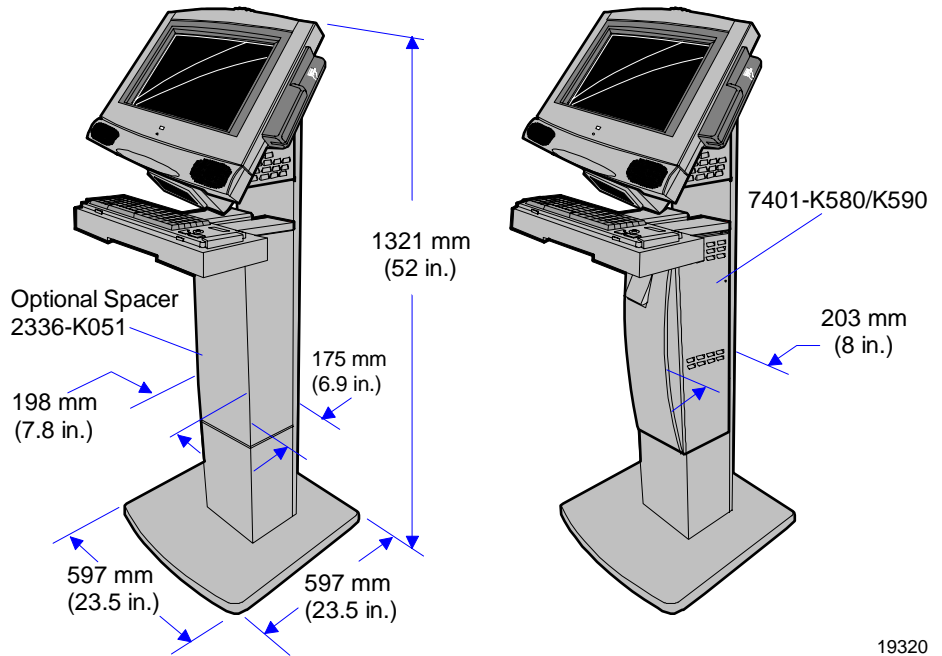
7401 with 7949 Pedestal Mount



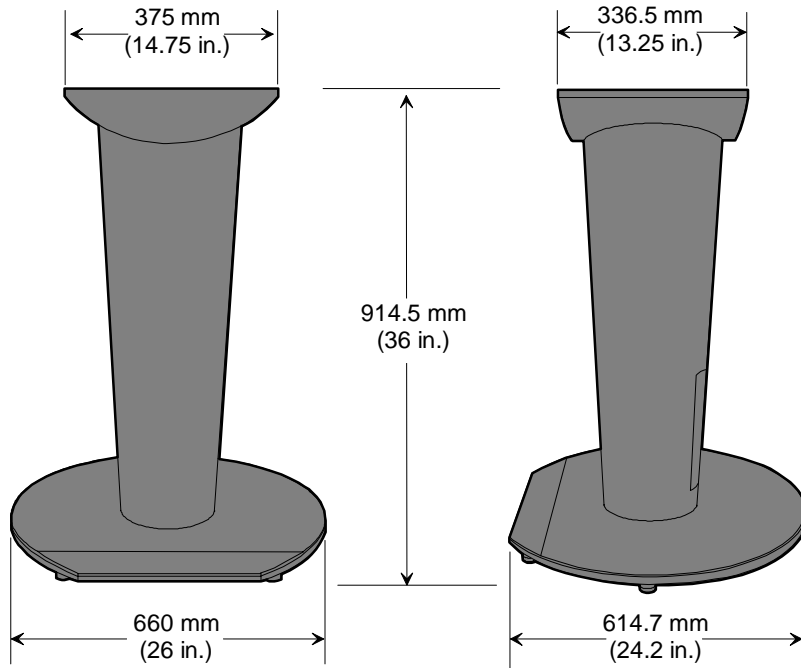
7401 with 2336-K052 Pedestal Mount



7401 2336-K037 Pedestal Mount with Keyboard Shelf



EasyPoint 45 Pedestal 2336-K045



7401-4xxx with EasyPoint 45 Pedestal 2336-K045

