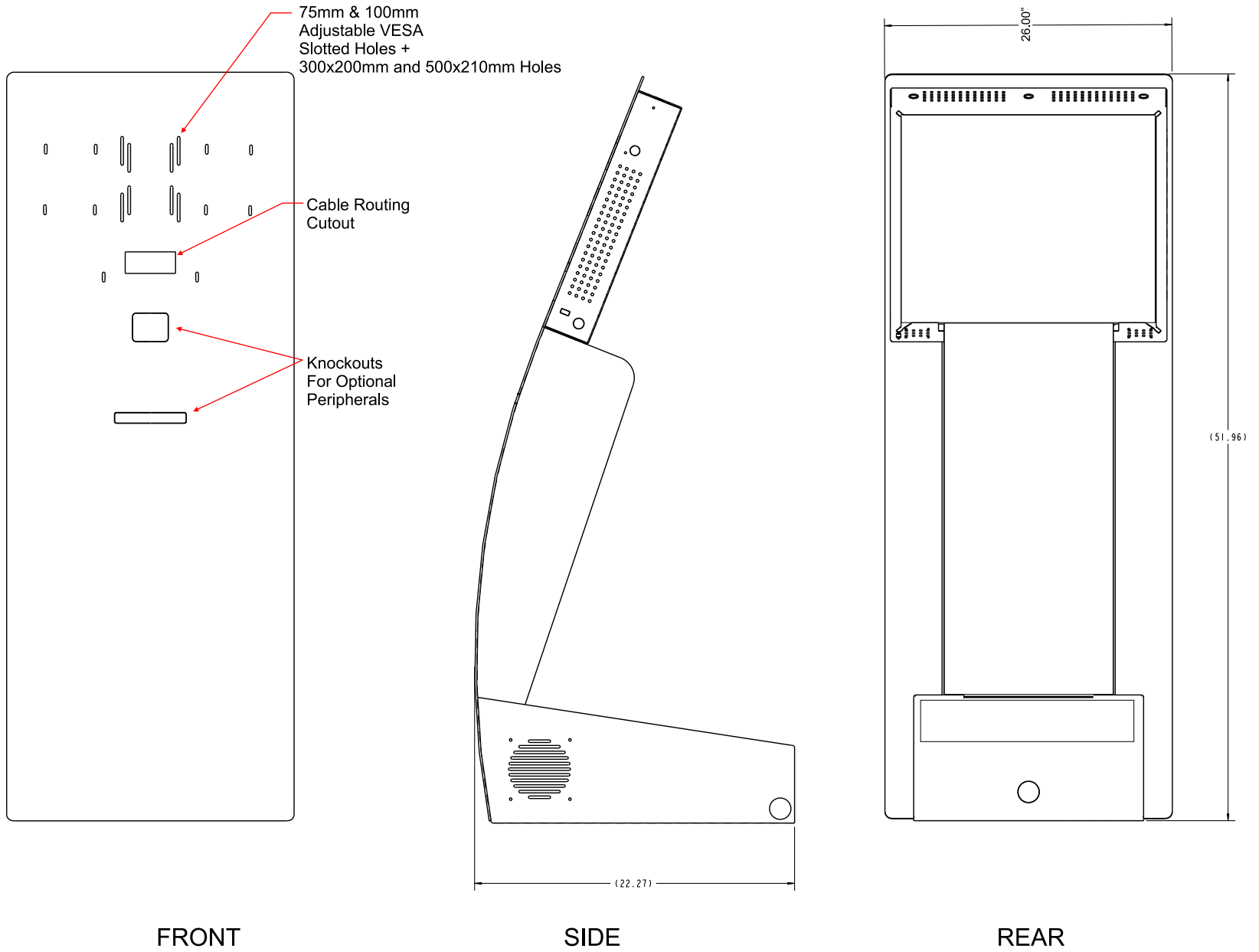
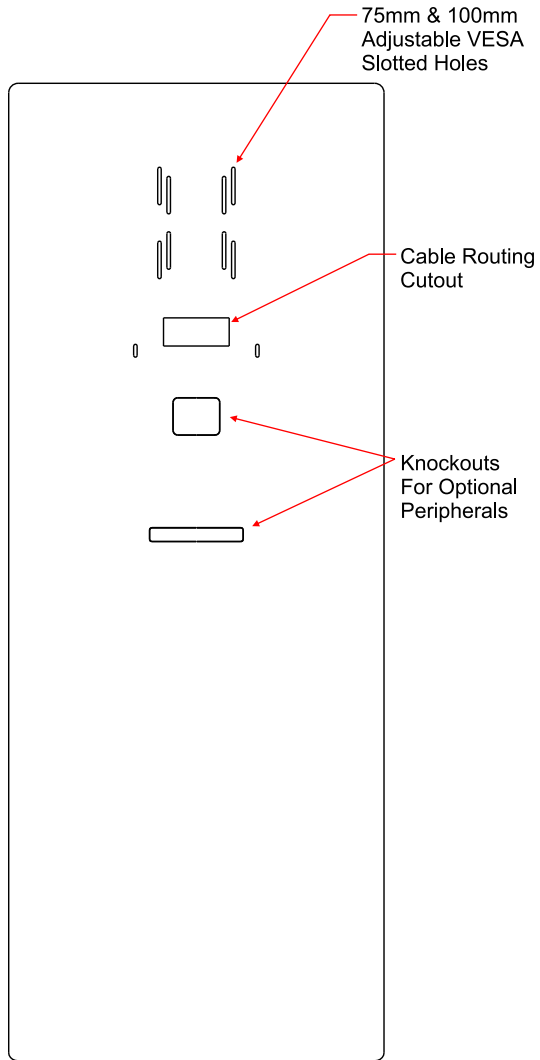


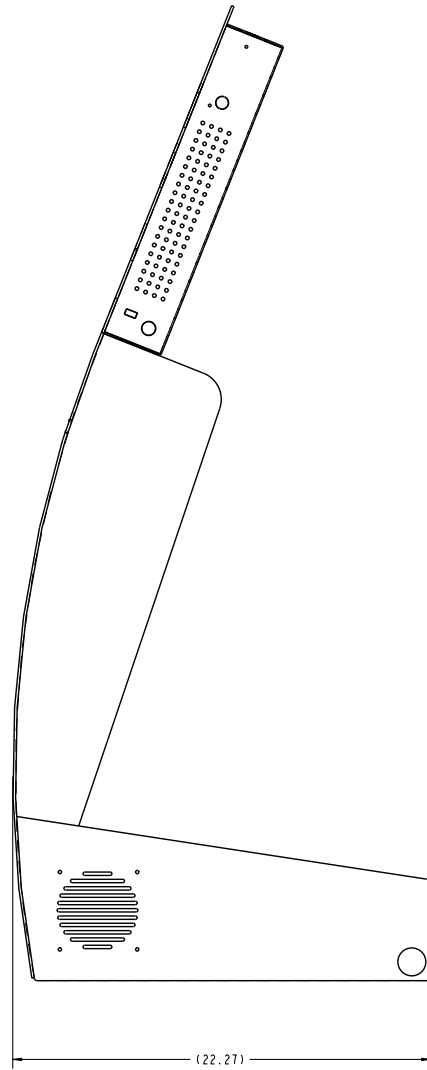
Specter -25 (Wide) Enclosure Dimensions



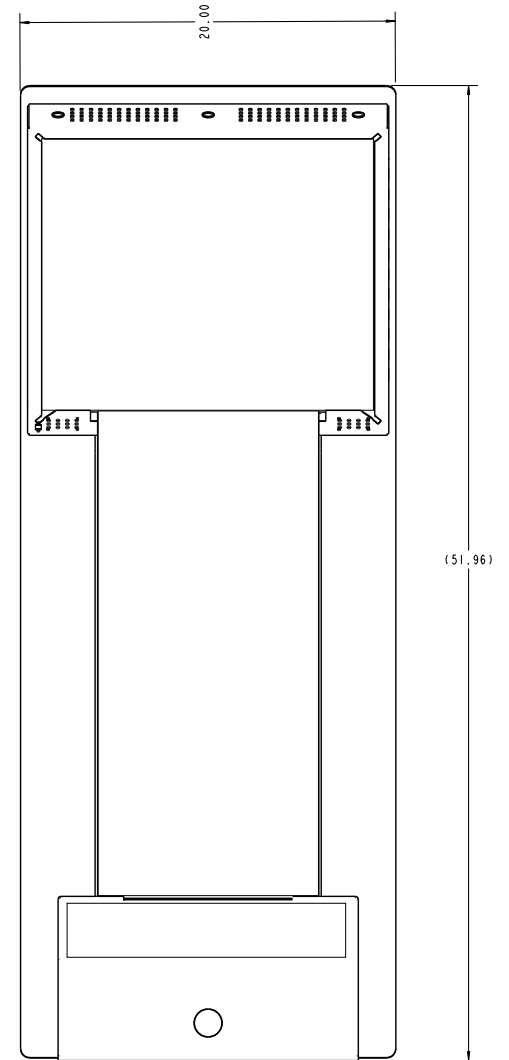
Specter -24 Enclosure Dimensions



FRONT



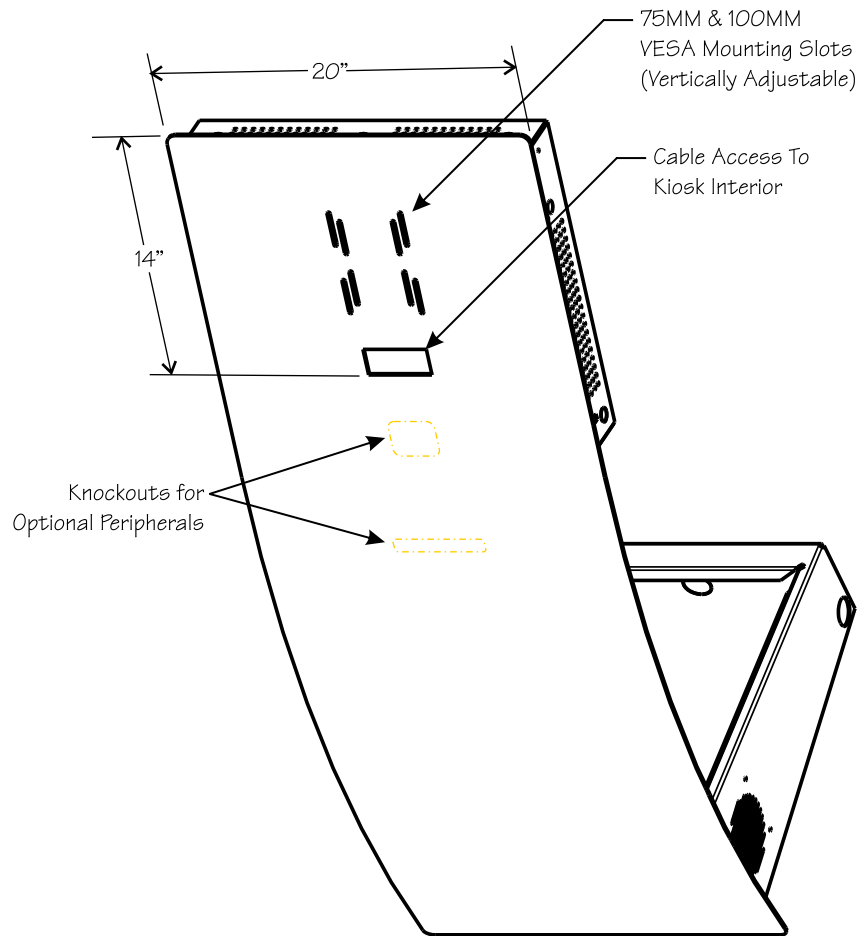
SIDE



REAR

SPECTER KIOSK WELDMENT DISPLAY MOUNTING AREA

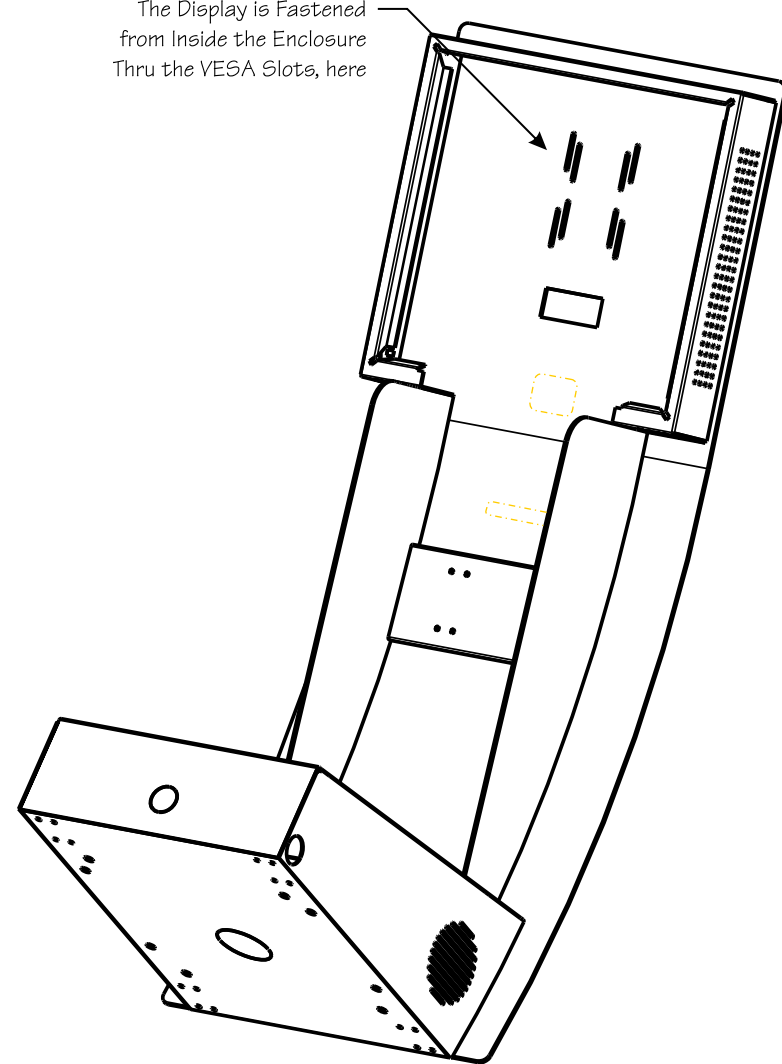
FRONT



REAR

(All Doors Removed)

The Display is Fastened from Inside the Enclosure Thru the VESA Slots, here



SCALE 0.125

SPECTER KIOSK WELDMENT DISPLAY MOUNTING AREA

No Decal

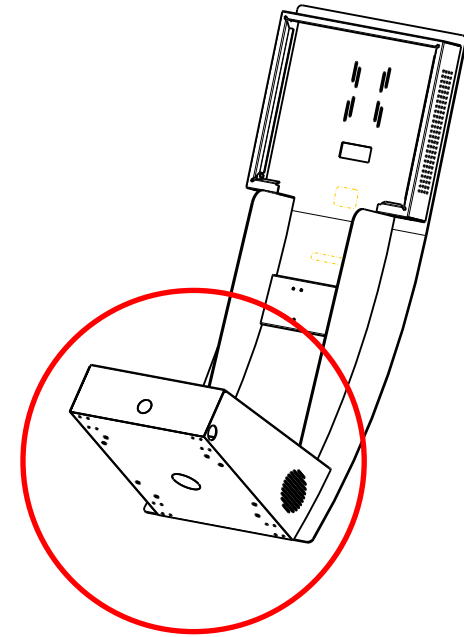
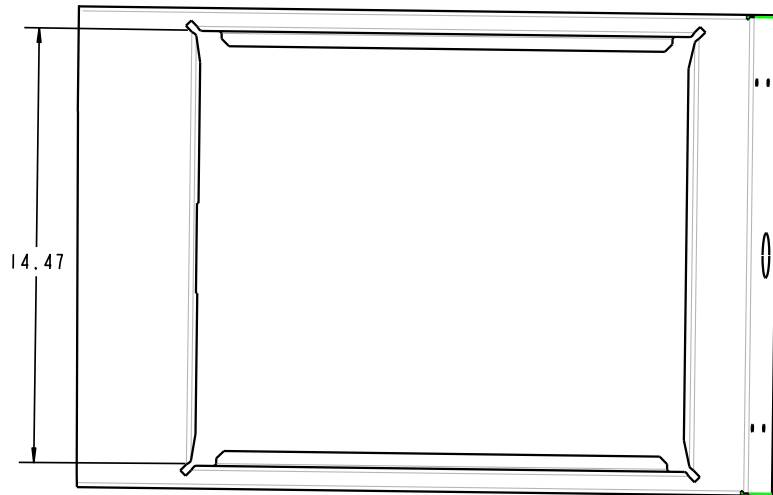


Custom Decal Applied

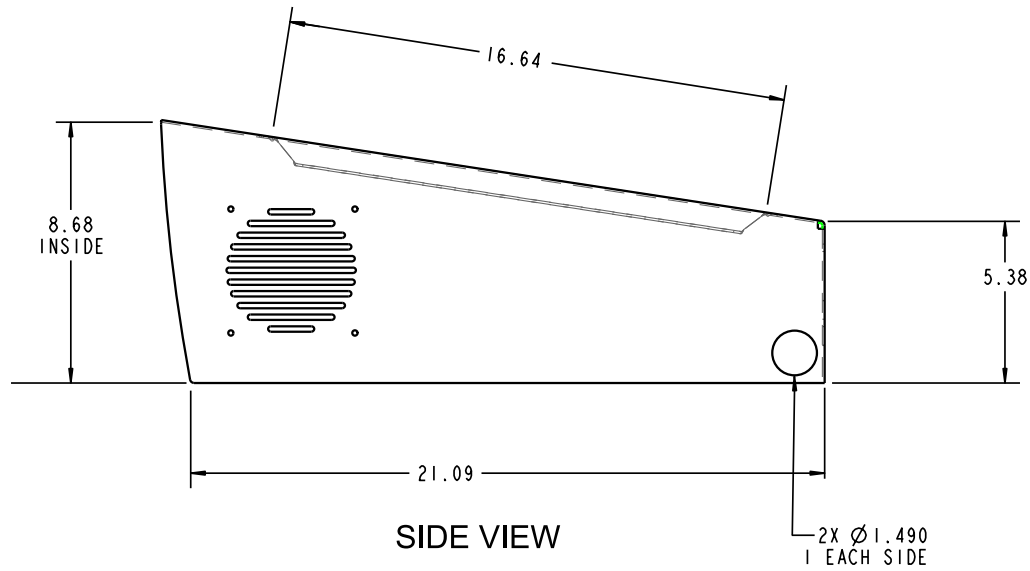
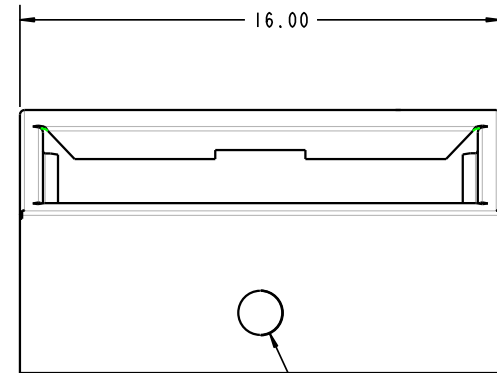


Specter Base Compartment Dimensions

TOP DOWN VIEW



REAR VIEW



Ø 1.500, LASER CUT
KNOCKOUT, LEAVE ATTACHMENT
TOP AND BOTTOM